

Date: 2023-03-27
 Enquiry dated:
 Project:
 Quotation-no.:
 Item:
 Reference:



Evaporator (dx) GDF 030.1C/27-EN150.E For calculation only!

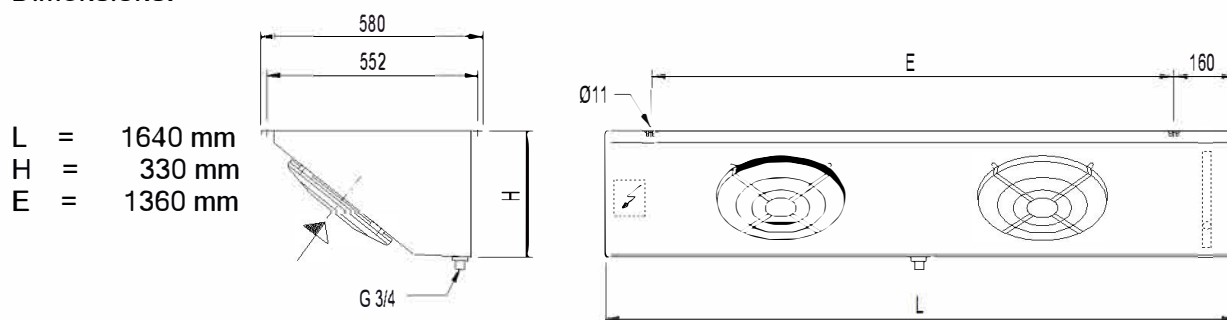
Capacity:	3.7 kW ⁽¹⁾	Refrigerant:	R134a ⁽²⁾
Surface reserve:	-0.0 %	Evaporation temp.:	-8.0 °C
Air flow:	2200 m ³ /h	Superheating:	5.0 K
Air inlet:	0.0 °C	Condensing temp.:	35.0 °C
Air outlet:	-3.9 °C	Subcooled temp.:	30.0 °C
Air pressure:	1013 mbar		

Fans:	2 Piece(s) 1~230V 50-60Hz	Noise pressure level:	45 dB(A) in 3.0 m ⁽³⁾
Data per motor (nominal data):		Noise power level:	67 dB(A)
Speed:	1250 min-1	Air throw:	approx. 10 m ⁽⁴⁾
Capacity (mech./el.):	0.02 kW/0.04 kW	Frost:	0.0 mm
Current:	0.27 A ⁽⁵⁾		
ErP:	Not relevant ⁽⁶⁾		

Total el. power consumption:	0.06 kW	Energy efficiency class:	A+ (2014)
------------------------------	---------	--------------------------	-----------

Casing:	AlMg, Powder coated RAL 9003	Tubes:	Copper ⁽⁷⁾
Surface:	17.6 m ²	Fins:	Aluminum ⁽⁷⁾
Tube volume:	6.2 l	Distr. press. drop:	0.8 bar
Fin spacing:	7.00 mm	Outlet connection:	22.0 * 1.00 mm
Dry weight:	28 kg ⁽⁸⁾	Inlet connection:	16.0 mm
Max. operating pressure:	32.0 bar	PED classification:	Art. 3, par. 3 ⁽⁹⁾

Dimensions:



(1) Capacity according to Eurovent

(2) Fluid group 2 according to pressure equipment directive 97/23/EG and directive 67/548/EWG



- (3) According to the standard procedure for measuring the sound pressure levels defined in EN 13487, the Eurovent tolerance = +2 dB(A) only applies for AC fans with sine control or EC fans; noise caused by other control procedures or water spraying systems are not taken into account.
- (4) Distance at which an air velocity of 0.5 m/s can still be measured isothermally in an ideal space. The achievable penetration depth of the air flow in the cold room depends on the spatial geometry and other factors.
- (5) The current consumption can differ in dependence of the air temperature and of the variations of system voltage according to the VDE guidance.
- (6) This unit is equipped with fans that are not subject to Directive 2009/125/EC (ErP Directive).
- (7) The unit may not be suitable for very corrosive atmospheres (close to shores, in smoke rooms, etc.). For further information see program menu "?", "Material recommendations brochure", or ask your sales partner.
- (8) Dimensions and weights are not valid for all possible options! They may differ for units with accessories or special units (S-...).
- (9) Piping (DN = 25.0 mm, TSmax = 100 °C, gaseous). Final classification according to pressure equipment directive 97/23/EC during order processing.
- (10) Fuse protection according to connected load on connection diagram, max. 25 A
- (11) Delivery time for standard units ex works, i.e. without transport time. Times for units with customised drawing, special units, special accessories or larger quantities on request.

Please pay attention ...

The unit is only for calculation:

The prices are no longer valid.